

PRODUCT DATASHEET

Nerola Back to Wall Toilet set

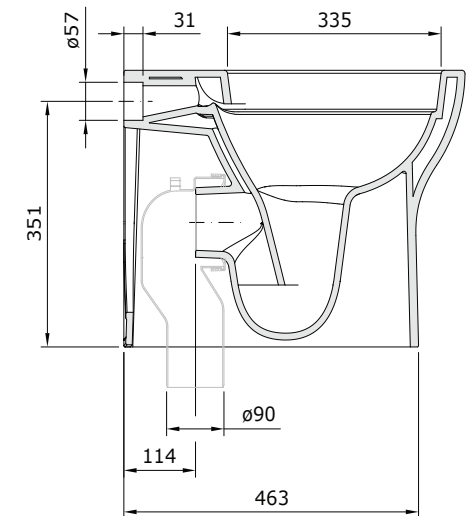
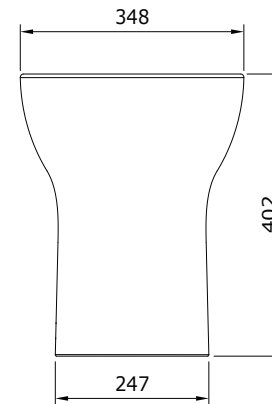
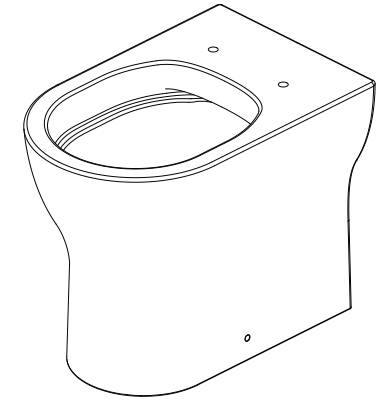
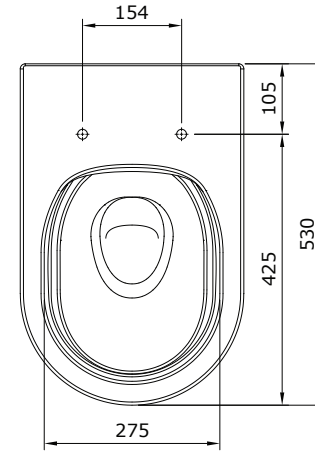
tissino

Designed to Inspire
Made to Experience



A sleek and minimalist back-to-wall toilet set, available with a range of coloured fittings.

TECHNICAL DRAWING



PRODUCT DETAILS

Finishes	Pan	Gloss white ceramic
	Seat hinges & Flush button	Chrome, Matt Black, Brushed Brass
Dimensions	Height	402 mm
	Width	348 mm
	Depth	530 mm
Material	Glazed ceramic	
Waste connection	Ø 100 mm	
Weight	27.8 kg	
Warranty	Lifetime	
Codes		
Wrapover seat	Chrome fittings	TNE-211-CP
	Matt Black fittings	TNE-211-MN
	Brushed Brass fittings	TNE-211-BB
Slimline seat	Chrome fittings	TNE-311-CP
	Matt Black fittings	TNE-311-MN
	Brushed Brass fittings	TNE-311-BB

See separate datasheet for information on seat options and concealed cisterns

tissino

Lyncastle Road, Appleton Thorn, Warrington WA4 4SN

info@tissino.co.uk

+44 (0) 345 582 8000

tissino.co.uk



YOUR BATHROOM
MADE BEAUTIFUL

