

# PRODUCT DATASHEET

## Nerola Close-Coupled Toilet set

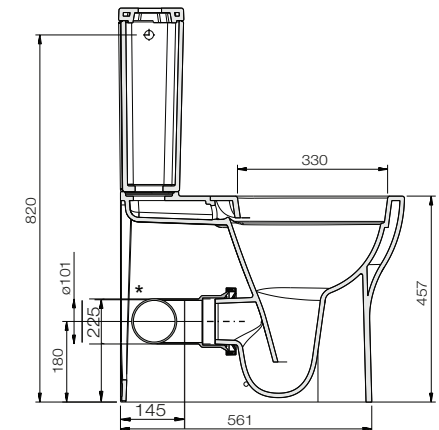
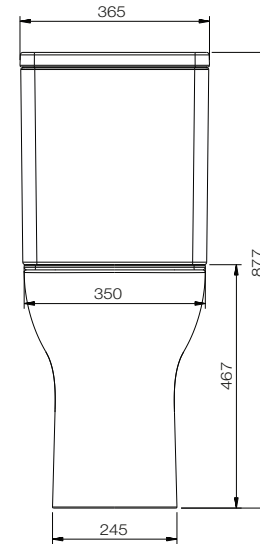
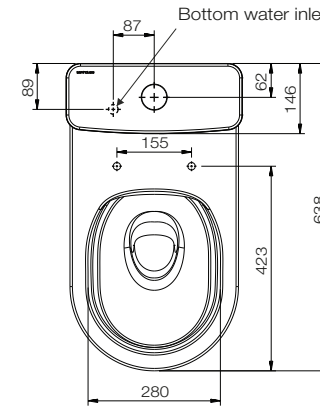
**tissino**

Designed to Inspire  
Made to Experience



A sleek yet higher close-coupled toilet set, with a side waste connection, available with a range of coloured fittings.

### TECHNICAL DRAWING



### PRODUCT DETAILS

<b>Finishes</b>	Pan	Gloss white ceramic
	Cistern	Gloss white ceramic
	Seat hinges & Flush button	Chrome, Matt Black, Brushed Brass
<b>Dimensions</b>	Height	877 mm
	Width	365 mm
	Depth	638 mm
<b>Material</b>	Glazed ceramic	
<b>Water connection</b>	1/2" BSP male	
<b>Waste connection</b>	Ø 100 mm	Right-hand cut out
<b>Weight</b>	38 kg	
<b>Warranty</b>	Lifetime	
<b>Codes</b>		
<b>Wrapover seat</b>	Chrome fittings	TNE-216-CP
	Matt Black fittings	TNE-216-MN
	Brushed Brass fittings	TNE-216-BB
<b>Slimline seat</b>	Chrome fittings	TNE-316-CP
	Matt Black fittings	TNE-316-MN
	Brushed Brass fittings	TNE-316-BB

See separate datasheet for information on seat options

**tissino**

Lyncastle Road, Appleton Thorn, Warrington WA4 4SN

info@tissino.co.uk

+44 (0) 345 582 8000

tissino.co.uk



YOUR BATHROOM  
MADE BEAUTIFUL

